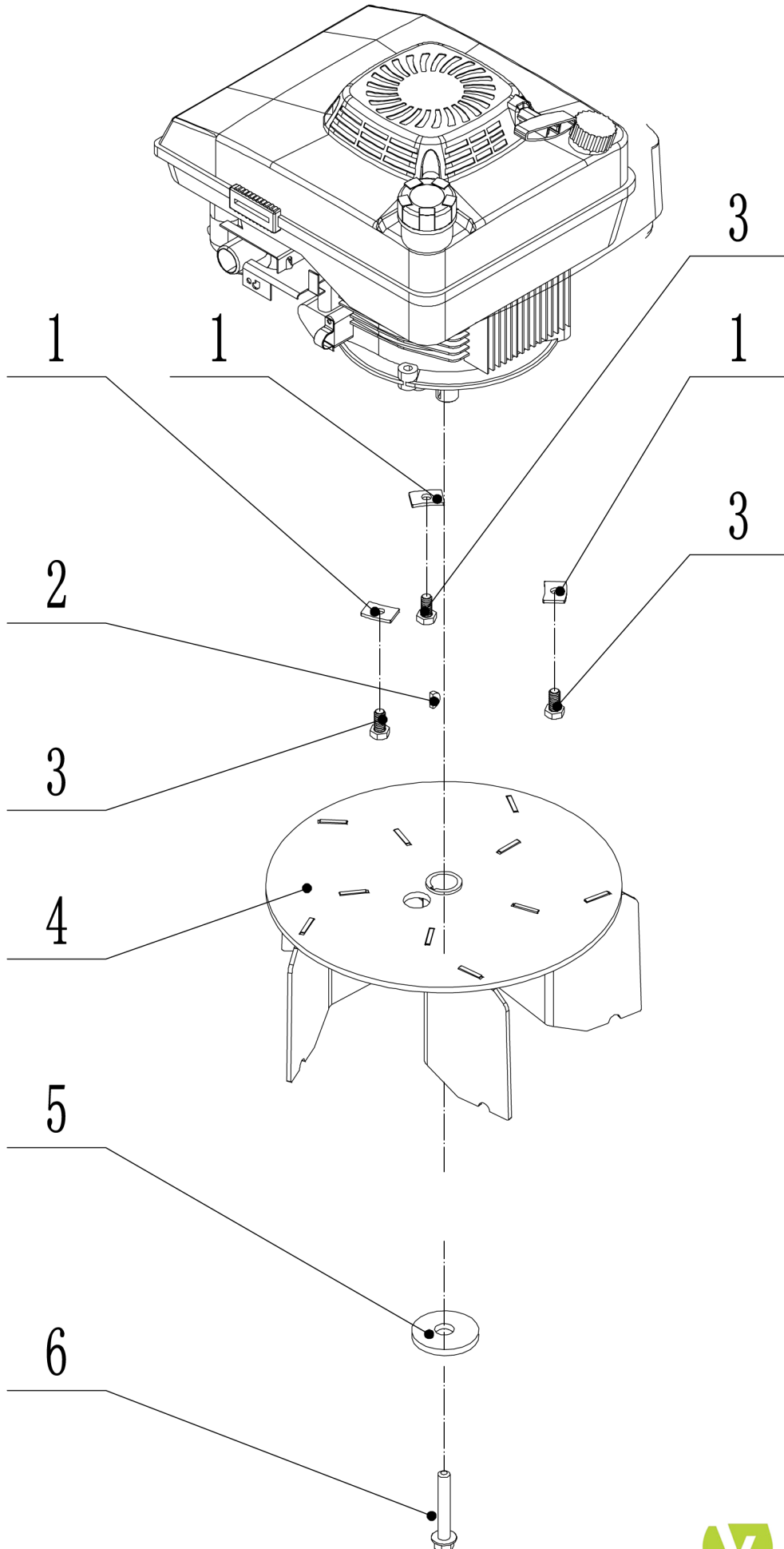


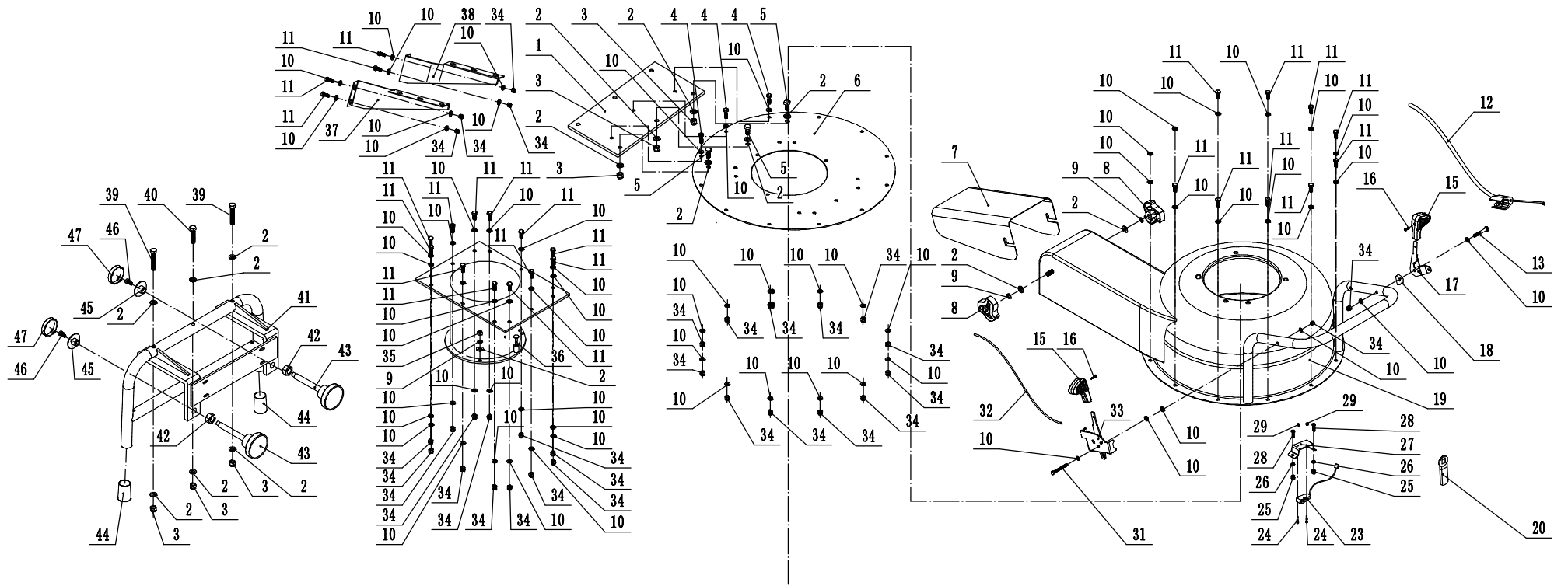
# Weibang WB LV50K

r.v. 2024

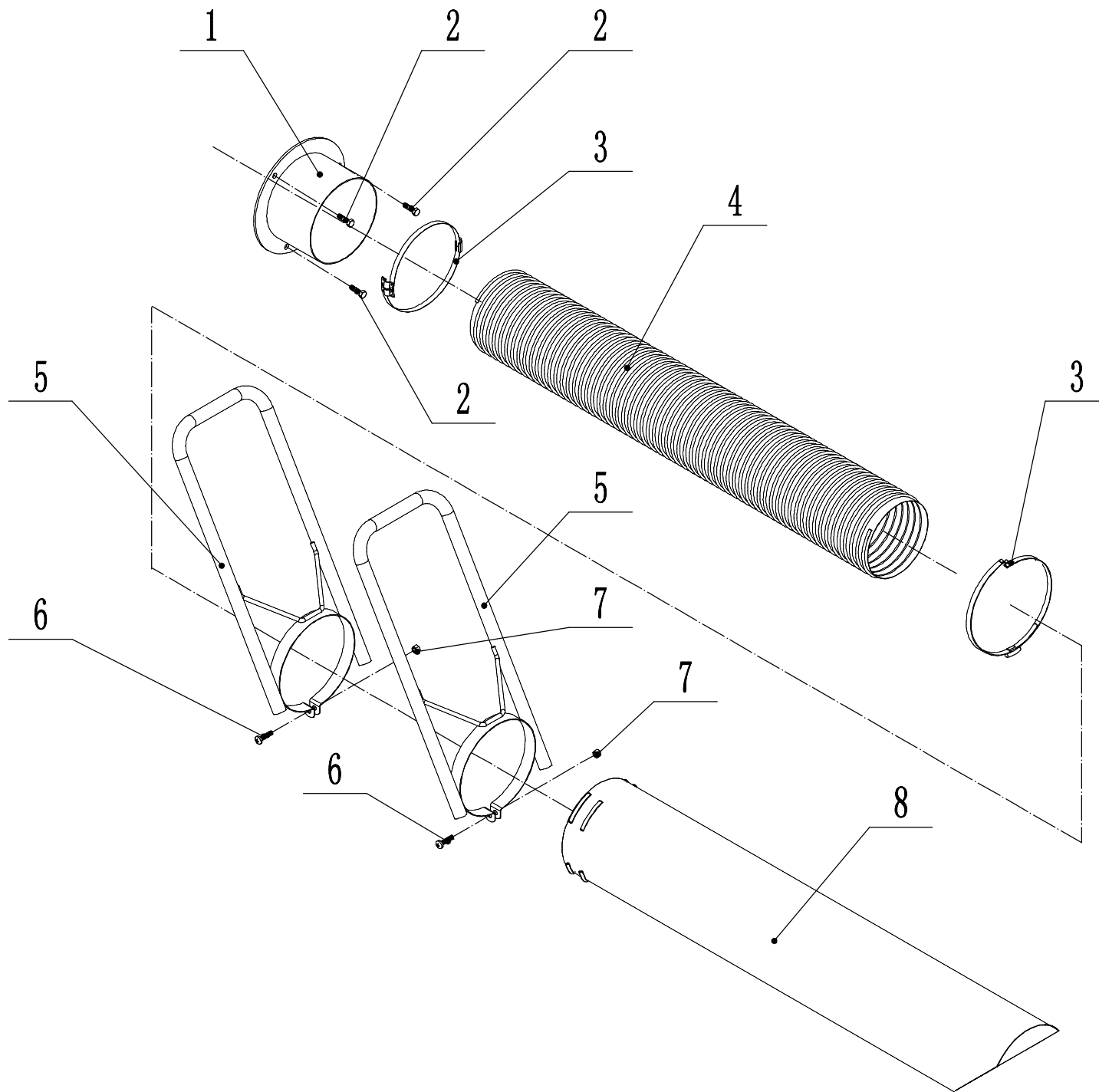


**2 Wind disc part**

<b>No.</b>	<b>ID Zboží</b>	<b>Název</b>
1	5310112020	Spacer
2	5310401010	Key
3	0102010025	Bolt - M10*25
4	XYJ200010/22	Turbine Wheel Kawasaki
5	5310406010/04	Dish washer
6	5320405010	Central bolt 3/8-24*51



2 Chassis part		
No.	ID Zboží	Název
1	XYJ000114A/49	Bottom Stiffener
2	0301008000	Flat washer - M8
3	0202008000	Lock Nut - M8
4	0101006020	Bolt - M6*20
5	0101008020	Bolt - M8*20
6	XYJ000109/49	Plate
7	XYJ000101/22	Deflector
8	5310511010	Knob
9	0401008000	Spring washer - M8
10	0301006000	Flat washer - M6
11	0101006016	Bolt - M6*16
12	XYJ600005	Brake Cable
13	0101006040	Bolt - M6*40
15	5380510010	Grip - Throttle Lever
16	0106003013	Bolt - ST2.9*13
17	XYJ600003/22	Grip - Clutch Lever
18	XYJ600004	Spacer
19	XYJ100000/49	Chassis
20	40E0109000/02	Terminal
23	8SH061020	Switch
24	0104003016	Screw - M3*16
25	0201005000	Nut - M5
26	0301005000	Flat washer - M5
27	XYJ000116P1/49	Switch bracket
28	0104005012	Screw - M5*12
29	0201003000	Nut - M3
31	0101006045	Bolt - M6*45
32	XYJ600006	Throttle cable
33	5360509010	Throttle bracket
34	0202006000	Lock Nut - M6
35	0201008000	Nut - M8
36	XYJ000116P2	Switch core
37	XYJ000117/22	Right-Rod
38	XYJ000108A/22	Left-Rod
39	0101008055	Bolt - M8*55
40	0101008040	Bolt - M8*40
41	XYJ400000/22	Bracket part
42	0201012000	Nut - M12
43	XYJ000112	Plastic handle
44	XYJ000110	Sheath
45	XYJ000105	Presser
46	0103005012	Bolt - M5*12
47	XYJ000107	Bush



<b>3 Nozzle</b>		
<b>No.</b>	<b>ID Zboží</b>	<b>Název</b>
1	XYJ300003/49	Adapter
2	0101008025	Bolt - M8*25
3	XYJ510004	Clamp
4	XYJ000111	Hose
5	XYJ510000/20	Handle
6	0104006025	Screw - M6*25
7	0201006000	Mut - M6
8	XYJ500001	Nozzle